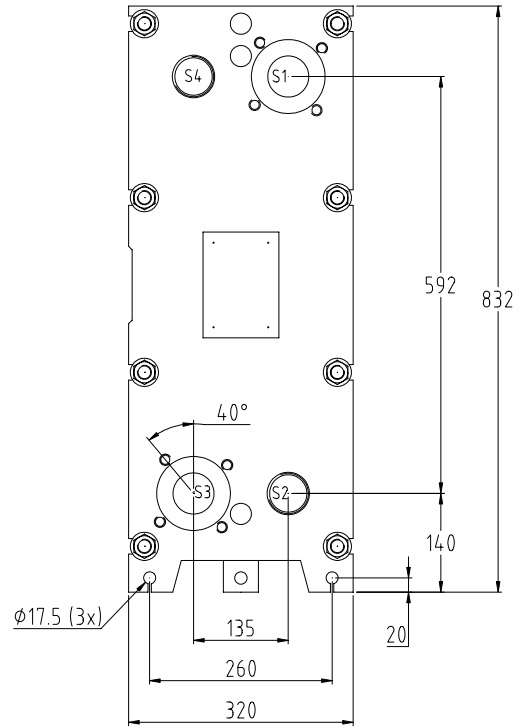
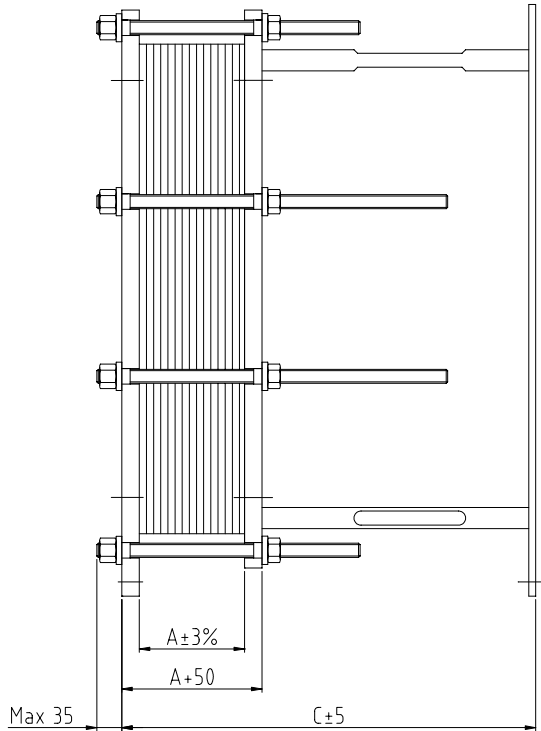




PLATE HEAT EXCHANGER  
GL-13P  
DIMENSIONS, MM



**Available connections:**

- 4x flange connections
- 4x threaded pipe connections
- 2x flange connections / 2x pipe connections

The Plate Heat Exchanger has 4 connections as standard and should be installed with min. 600 mm space on both sides for service work.

Subject to alterations without prior notice.

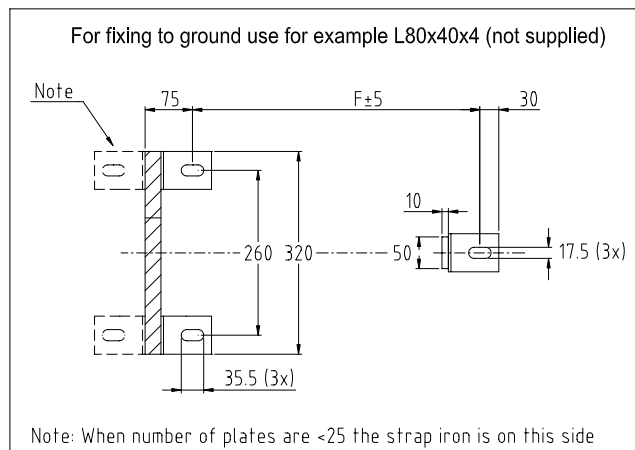
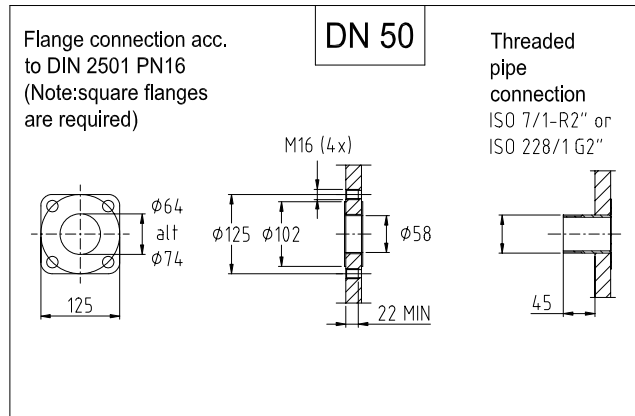
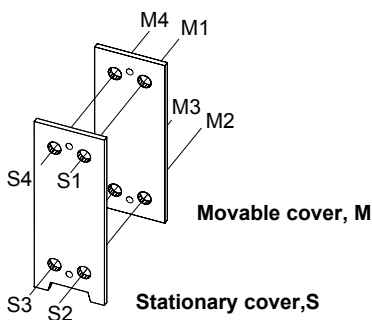




PLATE HEAT EXCHANGER  
**GL-13P**  
DIMENSIONS, MM

Standard connection dimension	DN50								
Tightening bolt	M20								
No. of long tightening bolts (T <sub>L</sub> )	4								
No. of short tightening bolts (T <sub>S</sub> )	4								
Cover thickness	25 mm								
Weight of guiding bar	1,4 kg/m								
Weight of tightening bolt	2,0 kg/m								
A-dimension	3,4*n mm								
C-dimension	LG								
F-dimension	LG – 25 mm								
Weight plate+gasket (W)	<table style="display: inline-table; border: none;"> <tr> <td style="padding-right: 10px;">AISI 304/316 0,5 mm</td> <td>0,76 kg</td> </tr> <tr> <td>AISI 304/316 0,6 mm</td> <td>0,91 kg</td> </tr> <tr> <td>Titanium 0,5 mm</td> <td>0,46 kg</td> </tr> <tr> <td>Titanium 0,6 mm</td> <td>0,55 kg</td> </tr> </table>	AISI 304/316 0,5 mm	0,76 kg	AISI 304/316 0,6 mm	0,91 kg	Titanium 0,5 mm	0,46 kg	Titanium 0,6 mm	0,55 kg
AISI 304/316 0,5 mm	0,76 kg								
AISI 304/316 0,6 mm	0,91 kg								
Titanium 0,5 mm	0,46 kg								
Titanium 0,6 mm	0,55 kg								
Weight Frame	110+n*W kg								

Max No of plates	LT <sub>L</sub>	LG	C	F
71	500	590	590	565
115	750	840	840	815
159	1000	1090	1090 <sup>1)</sup>	1065

LT<sub>L</sub> = Length long tightening bolt  
 LG = Length guiding bar  
 n = number of plates

1) C > 840 mm use floor support

Total max no. of plates	
AISI 304/316 0,5 mm	159

All data is based on plates with material AISI 304/316 and thickness 0,5 mm.



PLATE HEAT EXCHANGER  
**GL-13PI**  
DIMENSIONS, MM

Standard connection dimension	DN50								
Tightening bolt	M20								
No. of long tightening bolts (T)	4								
No. of short tightening bolts (T)	4								
Cover thickness	25 mm								
Weight of guiding bar	1,4 kg/m								
Weight of tightening bolt	2,0 kg/m								
A-dimension	3,4*n mm								
C-dimension	=LG								
F-dimension	A+28 mm								
Weight plate+gasket (W)	<table style="width: 100%; border: none;"> <tr> <td style="width: 50%;">AISI 304/316 0,5 mm</td> <td style="width: 50%;">0,76 kg</td> </tr> <tr> <td>AISI 304/316 0,6 mm</td> <td>0,91 kg</td> </tr> <tr> <td>Titanium 0,5 mm</td> <td>0,46 kg</td> </tr> <tr> <td>Titanium 0,6 mm</td> <td>0,55 kg</td> </tr> </table>	AISI 304/316 0,5 mm	0,76 kg	AISI 304/316 0,6 mm	0,91 kg	Titanium 0,5 mm	0,46 kg	Titanium 0,6 mm	0,55 kg
AISI 304/316 0,5 mm	0,76 kg								
AISI 304/316 0,6 mm	0,91 kg								
Titanium 0,5 mm	0,46 kg								
Titanium 0,6 mm	0,55 kg								
Weight Frame	110+n*W kg								

Max No of plates	LT <sub>L</sub>	LG	C	F
25	250	250	250	A+28
47	375	375	375	A+28
71	500	590	590	A+28

LT<sub>L</sub> = Length of long tightening bolt

LG = Length of guiding bar

n = number of plates

Total max no. of plates	
AISI 304/316 0,5 mm	71

All data is based on plates with material AISI 304/316 and thickness 0,5 mm.